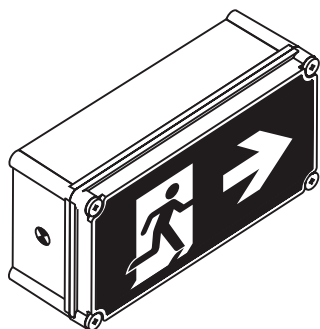
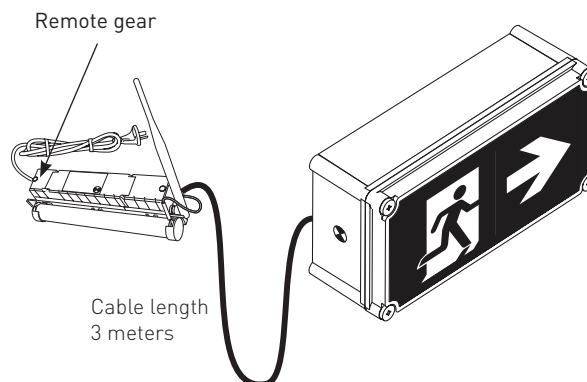


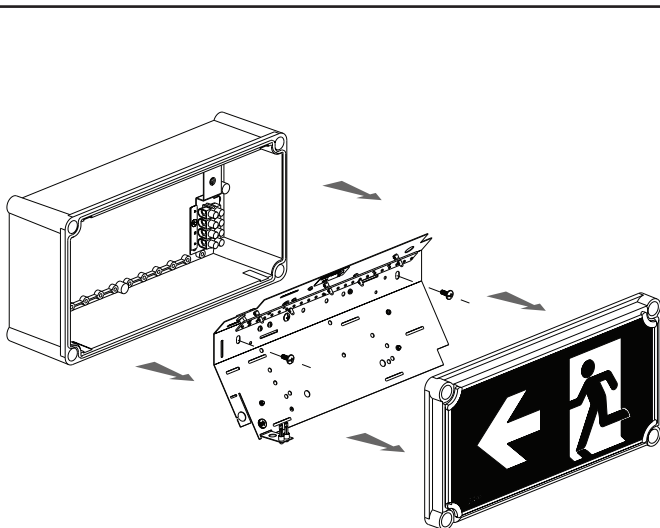
LED Weatherproof Exit Sign



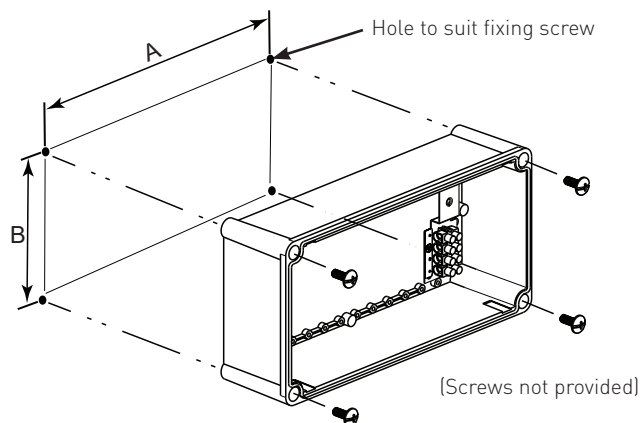
Freezer LED Weatherproof Exit Sign



- Freezer LED Weatherproof exit has remote gear that needs to be installed external to the freezer area, the remote gear can only operate in temperatures 10°C to 40°C.

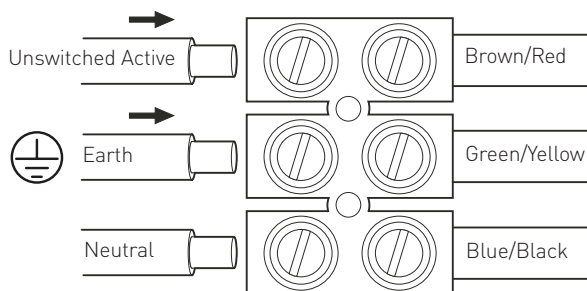


Mounting holes for direct wall mounting



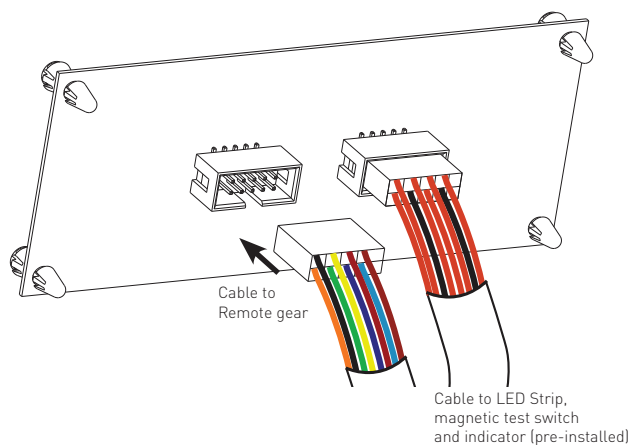
		A	B
24M	LED Weatherproof Exit Freezer WP Exit	355 mm	165 mm
32M	LED Weatherproof Exit	535 mm	254 mm

Mains Supply Connection for Weatherproof Exit



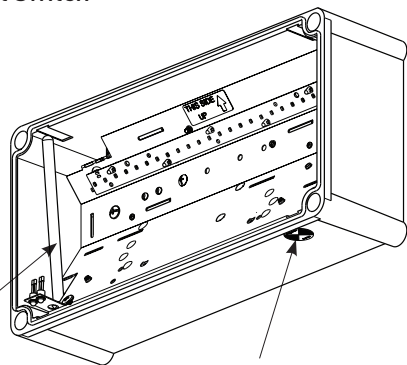
- Note:**
- This sign is configured for maintained operation only.
  - For DALI models, connect the two DALI wires to the DALI terminals.
  - To maintain the IP rating of the product, the supplied cable gland must be used. Drill a 20 mm hole in the desired location on the body, and use 10 mm (3-core) circular cable.

Remote Cable Connection for Freezer LED Weatherproof Exit



The cable to remote gear comes fitted with a cable gland at each end to maintain the IP rating of the product. Drill a 20mm hole in the desired location on the body.

Antenna and Test switch

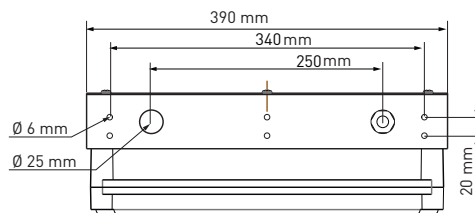
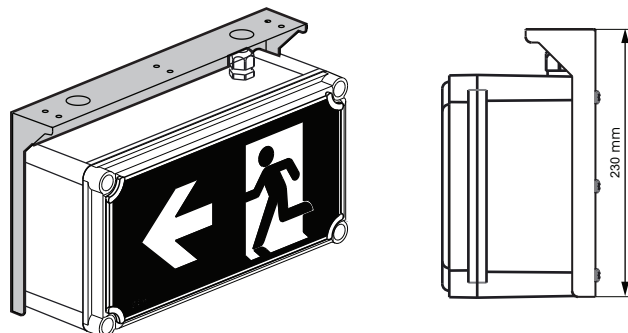


Antenna position  
(non-freezer version)

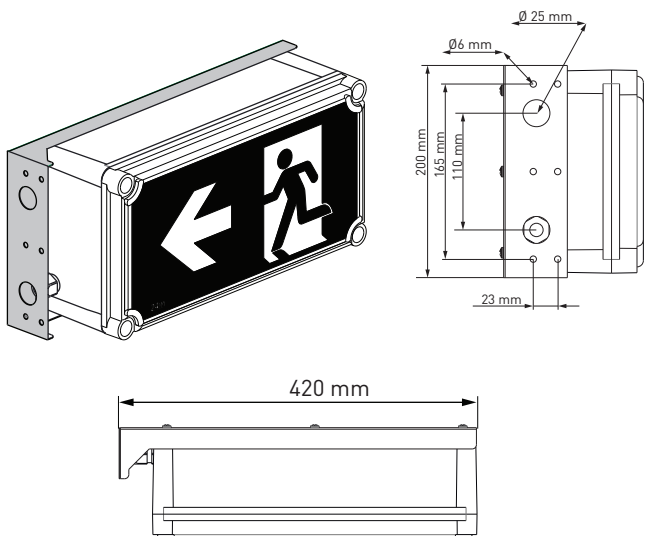
Magnetic Test Switch label

The test switch on this product is a magnetic type so that the weatherproof seal does not have to be opened. To perform a manual test, hold a magnet against the product surface near the "Magnetic Test Switch" label. A magnet is provided with the product. This magnet should not be left attached to the magnetic test switch during installation.

24m - Ceiling bracket (684692)



24m - side bracket (684691)



24m - Wall bracket

